

IEC Appliance Inlet C16, Screw-on Mounting, Front Side, Quick-connect or Screw-on Terminal



C16  
  
 120° C

**Description**

- Panel Mount:  
Screw-on mounting, Frontside
- Appliance Inlet, Pin temperature 120 °C, Protection class I
- Solder, Quick Connect or Screw Terminals

**Approvals**

- VDE Certificate Number: 40009508
- UL File Number: E96454
- CSA File Number: 27324

**References**

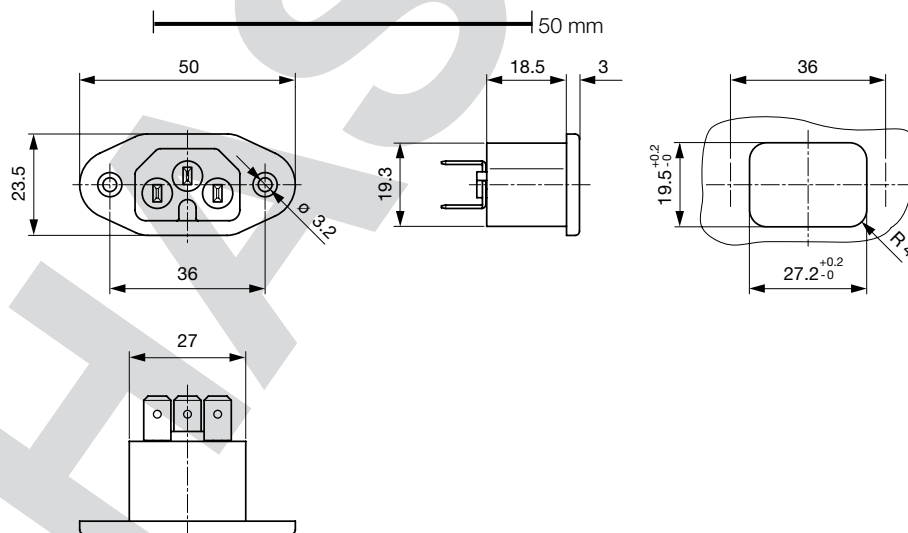
We recommend for new applications the type [6110-3](#)  
 Last order possibility: 31.05.2011

**Weblinks**

[pdf](#), [html](#), [General Product Information](#), [Approvals](#), [RoHS](#), [CHINA-RoHS](#), [Mating Connectors](#), [e-Shop](#), [SCHURTER-Stock-Check](#), [Distributor-Stock-Check](#), [Accessories](#)

**Technical Data**

Ratings IEC	10 A / 250 VAC; 50 Hz	Appliance Inlet	C16 acc. to IEC/EN 60320-1
Ratings UL/CSA	15 A / 250 VAC; 60 Hz		UL 498, CSA C22.2 no. 42 (For hot conditions) pin-temperature 120 °C, 10A, Protection Class 1
Dielectric Strength	> 3 kVAC between L-N > 1.5 kVAC between L/N-PE (1 min/50 Hz)		
Allowable Operation Temp.	-25 °C to 120 °C		
Degree of Protection	from front side IP 20 acc. to IEC 60529		
Protection Class	Suitable for appliances with protection class 1 acc. to IEC 61140		
Material: Housing	PA6, black or grey, UL 94V-0		

**Dimensions**

Length of the terminal please find at the order code configuration table

## Config. Code

0161 - H - A B C 0 - D - E G

The characters are placeholders for the correspondingly keys of selections from the key tables.

0161 - H - A B C 0 - D - E G = Type

Type	Configuration key
protection class 1	X

0161 - H - A B C 0 - D - E G = Terminals

Terminal L	Configuration key
short solder terminal (L = 4.8 mm)	2
Blade terminal (4.8 x 0.8 mm)	8
Blade terminal (6.3 x 0.8 mm)	9
screw terminal	A



0161 - H - A B C 0 - D - E G = Terminals

Terminal Ground	Configuration key
short solder terminal (L = 4.8 mm)	2
Blade terminal (4.8 x 0.8 mm)	8
Blade terminal (6.3 x 0.8 mm)	9
screw terminal	A

Symbols similar as in table A

0161 - H - A B C 0 - D - E G = Color

Color	Configuration key
Black	A

0161 - H - A B C 0 - D - E G = Terminals

Terminal N	Configuration key
short solder terminal (L = 4.8 mm)	2
Blade terminal (4.8 x 0.8 mm)	8
Blade terminal (6.3 x 0.8 mm)	9
screw terminal	A

Symbols similar as in table A

0161 - H - A B C 0 - D - E G = Style

Style	Configuration key
flange with countersunk holes	1
flange with through holes	2

0161 - H - A B C 0 - D - E G = Dimension X

Dimension "X"	Configuration key
36	
40	

The dimension "X" is displayed in (1/10 mm). This information is also valid for the order code

Packaging unit 50 Pcs

## Mating Outlets/Connectors

### Category / Description

[Connector Overview complete](#)

IEC Connector C15, Rewireable, Straight	0101
IEC Connector C15A, Rewireable, Straight	0102
IEC Connector C15A, Rewireable, Straight	0102-G
IEC Connector C15A, Rewireable, Angled	0112
IEC Connector C15, Rewireable, Straight	4781
Connector further types to0161	...

[Power Cord Overview complete](#)

Power Cord with IEC Connector C15, Straight, 120°C	3366
Power Cord with IEC Connector C15, Angled, 120°C	3368
Power Cord further types to0161	

